



# INSTRUCTIONS

-J02616

REV. 2002-06-07

## SIDEPLATE KIT

### GENERAL

#### Kit Number

52783-96B, 52418-99B

#### Models

These kits fit 1996 and later FXD, FXDL and FXDS-CON; 2001 and later FXDXT; 1999 FXDX; 2002 and later FXDX models. These kits do **not** 2000-2001 FXDX models.

#### Kit Contents

Table 1. Kit Contents

Description (Quantity)	Part Number
<b>Kit Number 52783-96B (Chrome)</b>	
Sideplate, right	52780-96B
Sideplate, left	52799-96B
<b>Kit Number 52783-96B (Wrinkle Black)</b>	
Sideplate, right	52420-99B
Sideplate, left	52419-99B

### INSTALLATION

#### NOTES

When performing the following installation, be careful not to scratch painted surfaces (fender, tank, etc.).

See Figure 1 for the following procedure.

1. Remove upper screw (1) and washer (2) securing fender strut (3) to fender (4).
2. Opposite end of fender strut (3) will remain supported to motorcycle by a second screw going through passenger foot peg bracket. Loosen this lower screw, but do not completely remove screw or strut.
3. Remove 5/16 in. bolt (5) and star washer (6) securing rear directional (7) to fender. Bolt (5) and washer (6) are located on the inside of the fender. Rear directional will remain loosely attached to motorcycle by rear directional wire (8).
4. Slide sissybar sideplate (9) into position between fender support (10) and fender (4). Line up holes in sideplate (9) with holes in fender support (10).

5. While holding sideplate (9) in position, reinstall rear inner fender strut upper screw (1) and washer (2). Tighten finger tight to hold sideplate in position.
6. Reinstall rear directional light bolt (5) and star washer (6), with rear slots in sideplate (9) lined up with bolt (5) (larger slot) and rear directional wire (8) (smaller slot).
7. Tighten upper and lower screws securing fender strut to fender to 21-27 ft-lbs (28.5-36.6 Nm).
8. Tighten directional light bolt (5)
9. Repeat Steps 1-8 for opposite side of vehicle.

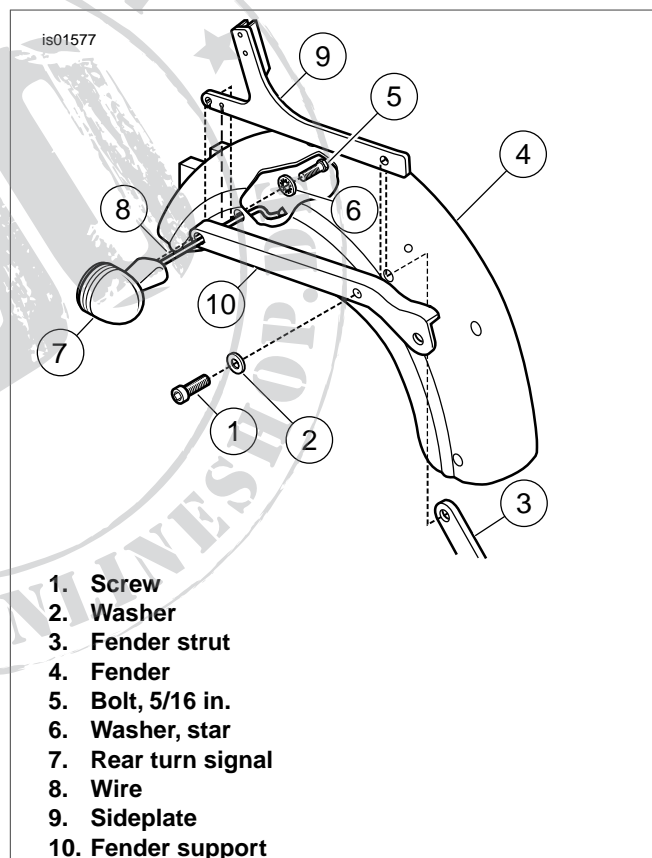


Figure 1. Right Sideplate Installation