



INSTRUCTIONS

-J04829

REV. 2010-09-01

FLHX MIRROR COVERS

GENERAL

Kit Number

91924-09, 92200001

Models

For model fitment information, see the P&A Retail Catalog or the Parts and Accessories section of www.harley-davidson.com (English only).

WARNING

The rider's safety depends upon the correct installation of this kit. Use the appropriate service manual procedures. If the procedure is not within your capabilities or you do not have the correct tools, have a Harley-Davidson dealer perform the installation. Improper installation of this kit could result in death or serious injury. (00333a)

NOTE

This instruction sheet references service manual information. A service manual for your model motorcycle is required for this installation and is available from a Harley-Davidson Dealer.

Kit Contents

There are no Service Parts available with this kit.

INSTALLATION

1. Remove the outer fairing using service manual instructions.
2. See Figure 1. Remove the mirrors (1) and retain the flange nuts (2) and plastic backing plates (3) securing the mirrors to the inner fairing.

NOTICE

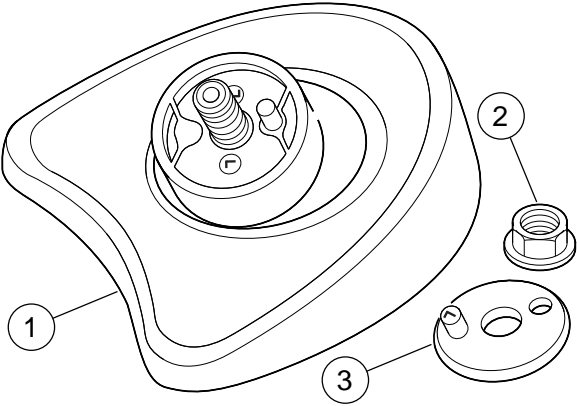
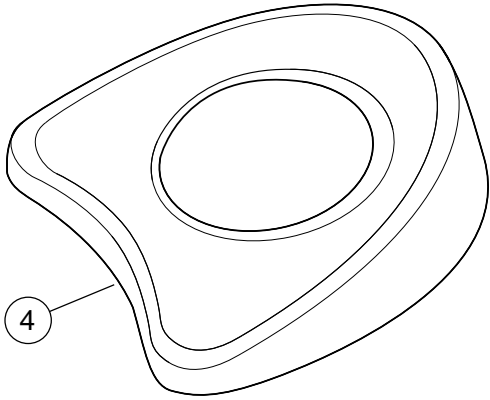
Do not heat or bake plastic parts after painting. Applying heat can damage plastic parts. (00615b)

NOTE

The adhesive will not bond correctly if it is applied at temperatures less than 50° F (10° C).

3. **For primed/painted mirror kits:** See Figure 2. Install mounting tape to the mirror covers as follows:
 - a. Clean the tape mounting surface of the mirror cover (1) with alcohol pads provided. Allow to dry completely.
 - b. Get the primer tube and follow the instructions on the tube to activate the primer. When the primer is activated apply the primer to the tape mounting surface of the mirror cover.
 - c. Rub the adhesive backing of the mounting tape (2 or 3) to activate the adhesive then remove the backing.
 - d. Install mounting tape to the mirror cover in the locations shown. Press tape and hold in place for 60 seconds.
 - e. Repeat steps c and d and attach each piece of mounting tape to the mirror cover as shown, then repeat step 3 for the opposite mirror cover.
4. Clean the backside of the mirrors with the alcohol pads provided. Allow to dry completely.
5. Get the primer tube and follow the instructions on the tube to activate the primer. When the primer is activated apply the primer to the back face of the mirror.
6. Rub the adhesive backing on the backside of the mirror cover to activate the adhesive then remove the backing.
7. Place the mirror cover over the backside of the mirror and press into place for a minimum of 60 seconds.
8. Repeat steps 4 through 6 for the opposite mirror.
9. With the mirror post on the outboard side, place the plastic backing plate against the inner fairing engaging two holes in the washer with the threaded stud and index pin. The letters "L" or "R" are stamped on the backing plate posts to differentiate between the left and right side. Repeat for opposite mirror.
10. Install the flange nut on the threaded stud and tighten to **30-40 in-lbs** (3.4-4.5 Nm).
11. Install the outer fairing using the service manual instructions.

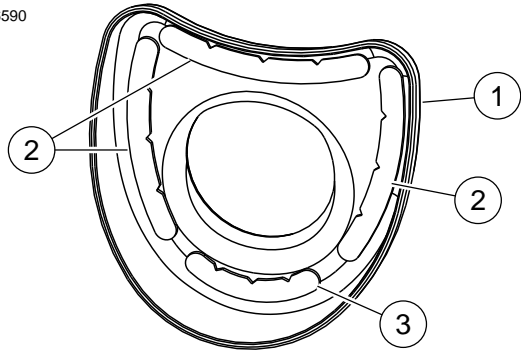
is05800a



- 1. Mirror (backside)
- 2. Flange nut
- 3. Backing plate
- 4. Mirror cover

Figure 1. FLHX Mirror Covers

is06590



- 1. Mirror cover
- 2. Mounting tape, long
- 3. Mounting tape, short

Figure 2. Install Mounting Tape Strips

